

LAMPS & LEDS

15



Questions? Answers at...

Western US: 1-866 CED-ELEV
or 1-866-233-3538 • Fax 1-562-427-8429

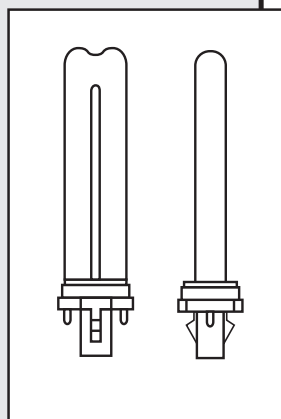
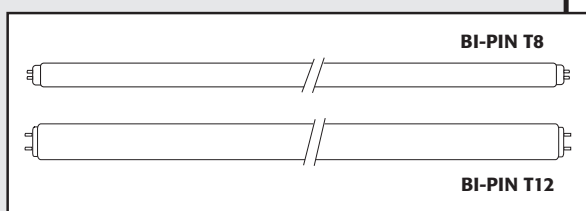
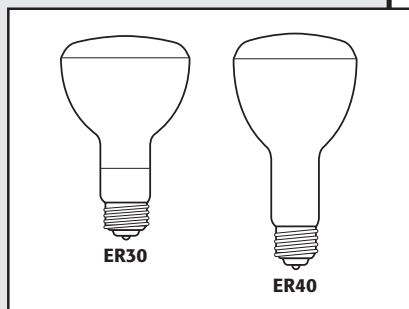
Eastern US: 1-866-253-2915
or 1-860-256-2211 • Fax 1-860-290-8970

or visit us online at
www.cedelevator.com
for 24 hour order entry,
cross reference data base,
product specifications
with pictures and much more!

Full line catalog available on request

In this Section

Reflector & Fluorescent Lamps	
Elliptical Reflectors	15.2
Fluorescents	15.2
Compact Fluorescents	15.2
Miniature Lamps	
Bulb and Filament Types	15.3
Base Types	15.4
Product Listing	15.5-11
Based LEDs	
LEDs for Elevator Floor & Call Buttons	15.12
Hall Lanterns	15.12
Elevator Cab Lighting	15.12



Reflector & Fluorescent Lamps

Elliptical Reflectors

Medium base, 120 and 130 volt.

Part Numbers

50ER30	75ER30	120ER40
--------	--------	---------

Fluorescents

Available in 2, 3, & 4 foot lengths in cool white, warm white, and various SP, SPX color renditions. Energy efficient available.

Part Numbers

F17T8CW	F20T12CW	F25T8CW
F30T12CW	F32T8CW	F40CW/RS/WM*

*Osram# F40CWRS/SS

Compact Fluorescents

Low watt BIAx: Energy efficient compact size, long-life replacements for incandescent lamps. Available in 5, 7, 9, and 13 watts in SPX27.

GE Part Numbers

Osram/Sylvania Part Numbers

F5BX/SPX27	CF5DS/827
F7BX/SPX27	CF7DS/827
F9BX/SPX27	CF9DS/827
F13BX/SPX27	CF13DS/827

Also Available in the following color temperatures:

SPX35	835
SPX41	841
SPX50	850

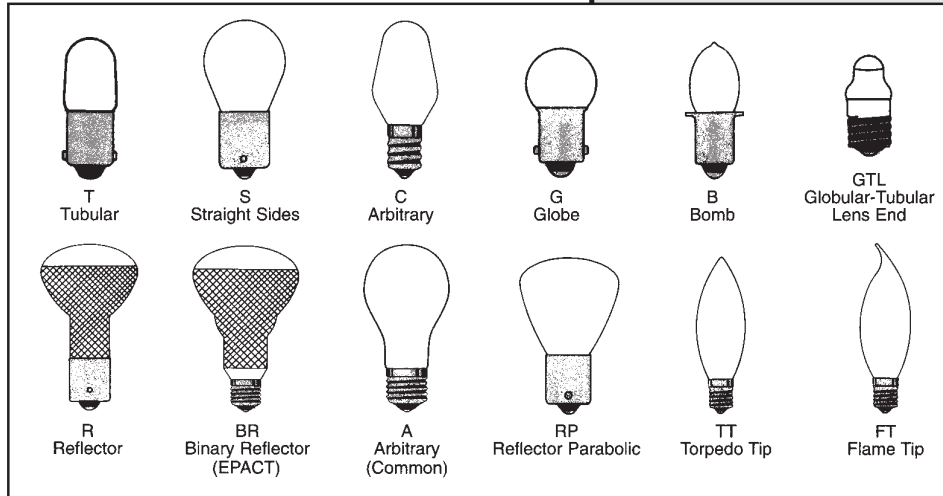
Questions? Answers at...

Western US: 866 CED-ELEV Eastern US: 866-253-2915
 or 866-233-3538 • Fax 562-427-8429 or 860-256-2211 • Fax 860-290-8970

Miniature Lamp Glass & Filament Types

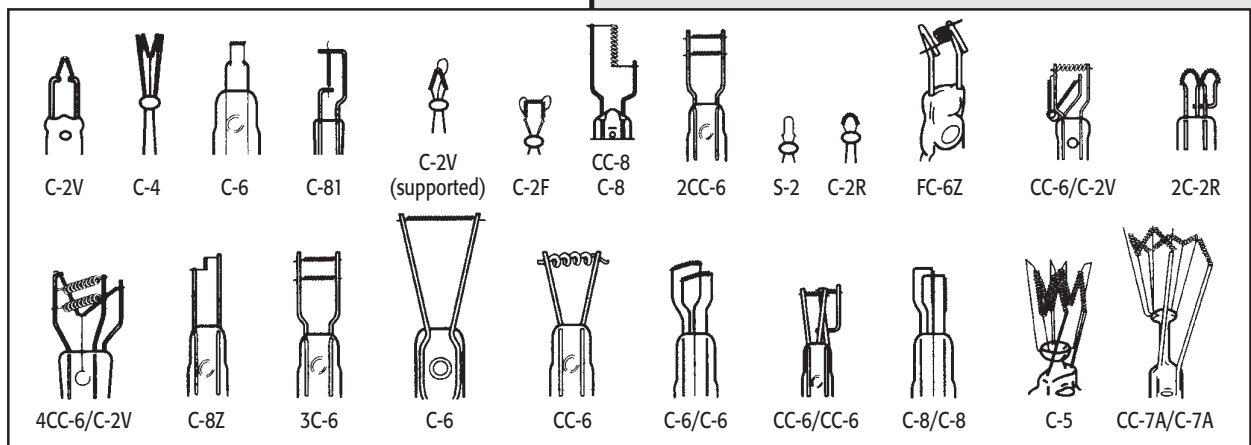
Basic Lamp Shapes

There are twelve basic glass shapes that most lamps made today are classified by. They are denoted by the letters listed below.



Filament Configurations

Filaments for miniature and subminiature lamps may be straight wire, a coil, or a coiled coil (indicated by the letter S, C, or CC, respectively). Coiling the filament wire effectively shortens the filament length so that smaller bulbs can be used. In addition, in gas-filled lamps, coiling the wire reduces thermal loss and increases efficiency. Tungsten is almost universally used as lamp filament material because of its high melting point at incandescence. The number following the coil identification letter(s) denotes the arrangement of the filaments on the supports.

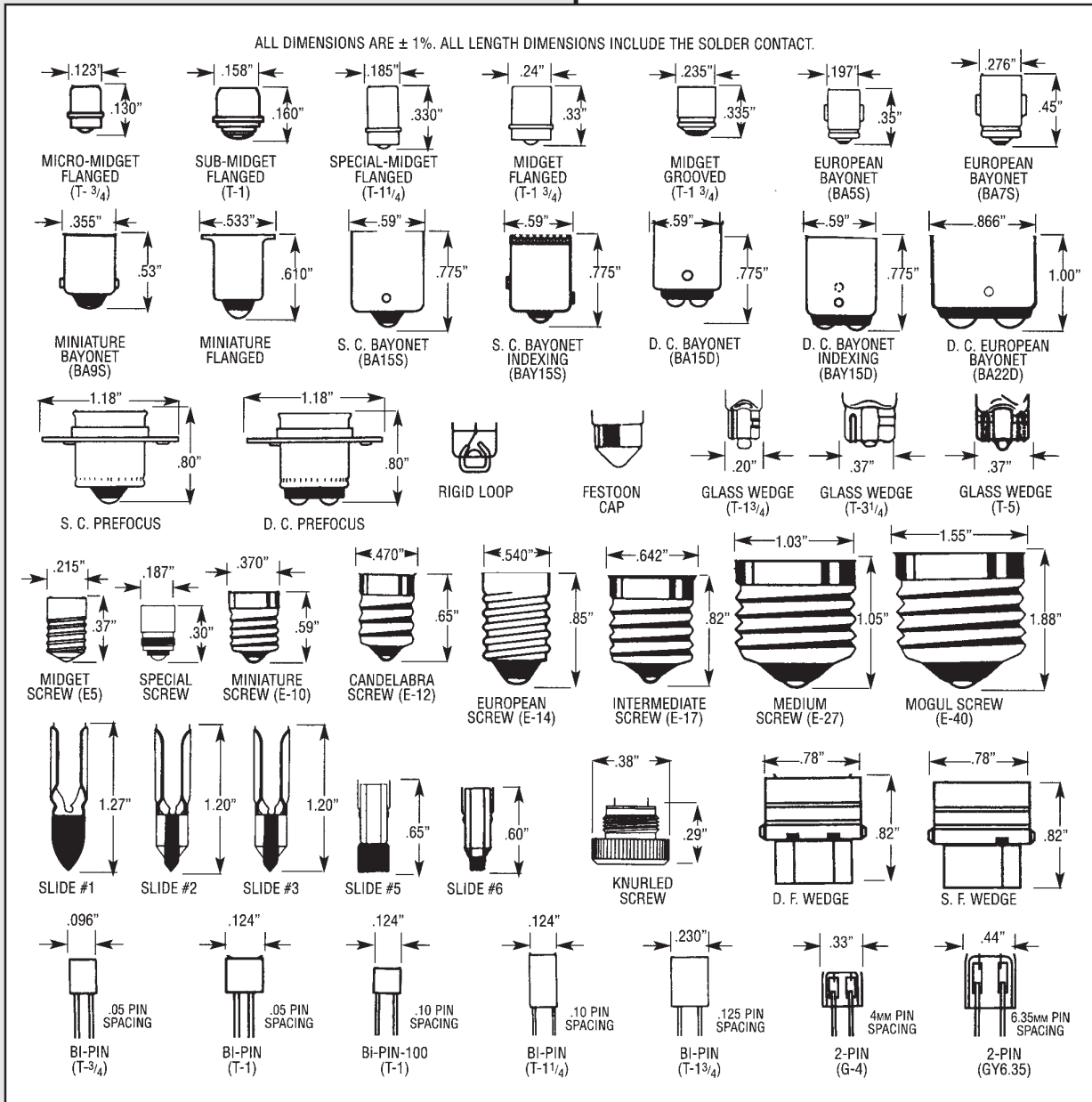


Questions? Answers at...

Western US: 866 CED-ELEV Eastern US: 866-253-2915
or 866-233-3538 • Fax 562-427-8429 or 860-256-2211 • Fax 860-290-8970

Minature Lamp Base Types

Bases provide electrical contact to the lamp and, in most cases, also support the lamp in the fixture. For miniature and subminiature lamps, bayonet or wedge base types are generally preferred over screw types when vibration is present. In addition, wedge bases reduce socket size and complexity. Flanged or collared types are usually associated with requirements for filament location.

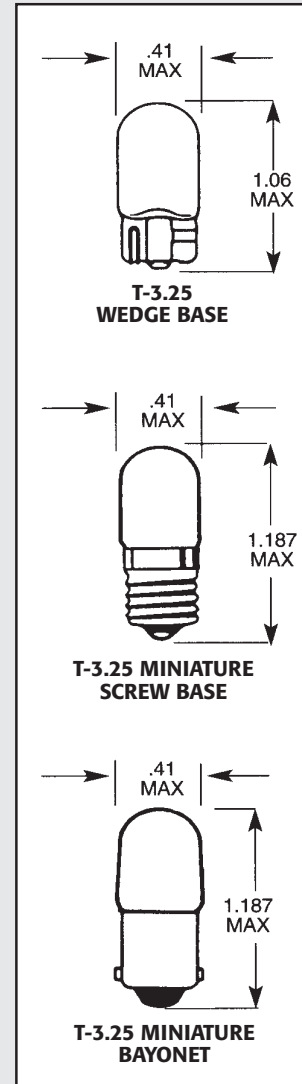


Questions? Answers at...

Western US: 866 CED-ELEV Eastern US: 866-253-2915
or 866-233-3538 • Fax 562-427-8429 or 860-256-2211 • Fax 860-290-8970

Miniature Lamps

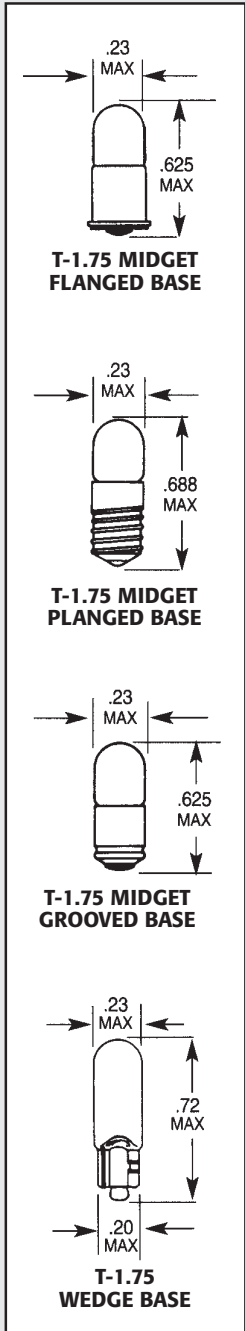
Commercial Number	Volts	Bulb Type	Base	Length (A)	Width (B)
10	2.5	G3.5	Mini 2-Pin	0.94	0.463
12	6.3	G3.5	Mini 2-Pin	0.94	0.463
13	3.7	G3.5	Mini Screw	0.94	0.463
14	2.47	G3.5	Mini Screw	0.94	0.463
15	7	G4.5	Mini 2-Pin	1.06	0.588
19	14.4	G3.5	Mini 2-Pin	0.94	0.463
27	4.9	G4.5	Mini Screw	1.06	0.588
37	14	T1.75	Wedge	0.72	0.23
43	2.5	T3.25	Mini Bay	1.187	0.41
44	6.3	T3.25	Mini Bay	1.187	0.41
46	6.3	T3.25	Mini Screw	1.187	0.41
47	6.3	T3.25	Mini Bay	1.187	0.41
51	7.5	G3.5	Mini Bay	0.94	0.463
53	14.4	G3.5	Mini Bay	0.94	0.463
55	7	G4.5	Mini Bay	1.06	0.588
57	14	G4.5	Mini Bay	1.06	0.588
63	7	G6	SC Bay	1.44	0.75
64	7	G6	DC Bay	1.44	0.75
67	13.5	G6	SC Bay	1.44	0.75
68	13.5	G6	DC Bay	1.44	0.75
70	14	T1.75	Wedge	0.72	0.23
73	14	T1.75	Wedge	0.72	0.23
74	14	T1.75	Wedge	0.72	0.23
81	6.5	G6	SC Bay	1.44	0.75
82	6.5	G6	DC Bay	1.44	0.75
84	6.3	T1.75	Wedge	0.72	0.23
85	28	T1.75	Wedge	0.72	0.23
86	6.3	T1.75	Wedge	0.72	0.23
88	6.8	S8	DC Bay	2.00	1.04
89	13	G6	SC Bay	1.44	0.75
90	13	G6	DC Bay	1.44	0.75
93	12.8	S8	SC Bay	2.00	1.04
94	12.8	S8	DC Bay	2.00	1.04
97	13.5	G6	SC Bay	1.44	0.75
98	13	G6	SC Bay	1.44	0.75
105	12.8	B6	SC Bay	1.75	0.775
147	7	T3.25	Wedge	1.06	0.41
149	6.15	T3.25	Wedge	1.06	0.41
157	5.8	G6	Mini Screw	1.22	0.75
158	14	T3.25	Wedge	1.06	0.41
161	14	T3.25	Wedge	1.06	0.41
168	14	T3.25	Wedge	1.06	0.41
193	14	T3.25	Wedge	1.06	0.41
194	14	T3.25	Wedge	1.06	0.41
198	12.8/14	S8	D.C. Index	2.00	1.04
199	12.8	S8	SC Bay	2.00	1.04



Questions? Answers at...

Western US: 866 CED-ELEV Eastern US: 866-253-2915
or 866-233-3538 • Fax 562-427-8429 or 860-256-2211 • Fax 860-290-8970

Miniature Lamps



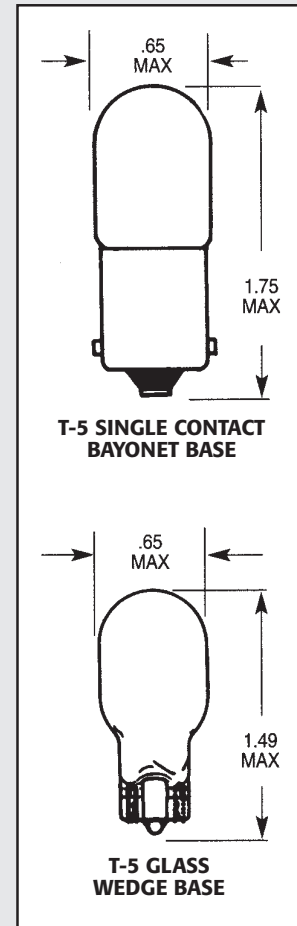
Commercial Number	Volts	Bulb Type	Base	Length (A)	Width (B)
210	6.5	B6	DC Bay	1.75	0.775
238	6.3	T1.75	Mini Bay	1.187	0.41
257	14	G4.5	Mini Bay	1.06	0.588
258	14	G4.5	Mini Screw	1.06	0.588
259	6.3	T3.25	Wedge	1.06	0.41
265	28	G3.5	Mini Bay	0.94	0.463
267	6.3	T3.25	Mini Bay	1.187	0.41
293	14	G4.5	Mini Bay	1.06	0.588
301	28	G5	SC Bay	1.38	0.64
302	28	G5	DC Bay	1.38	0.64
303	28	G6	SC Bay	1.44	0.75
304	28	G6	DC Bay	1.44	0.75
305	28	S8	SC Bay	2.00	1.04
306	28	S8	DC Bay	2.00	1.04
307	28	S8	SC Bay	2.00	1.04
308	28	S8	DC Bay	2.00	1.04
309	28	S11	SC Bay	2.38	1.42
311	28	S11	SC Bay	2.38	1.42
313	28	T3.25	Mini Bay	1.187	0.41
315	28	S8	SC Bay	2.00	1.04
316	6	T3.25	Mini Bay	1.187	0.41
327	28	T1.75	SC Mid Flg	0.625	0.23
328	6	T1.75	SC Mid Flg	0.625	0.23
330	14	T1.75	SC Mid Flg	0.625	0.23
334	28	T1.75	Mdgt Gvd	0.625	0.23
349	6.3	T1.75	SC Mid Flg	0.625	0.23
356	28	G3.5	Mini Bay	0.94	0.463
380	6.3	T1.75	Midget Flanged	0.625	0.23
381	6.3	T1.75	SC Mid Flg	0.625	0.23
382	14	T1.75	SC Mid Flg	0.625	0.23
385	28	T1.75	SC Mid Flg	0.625	0.23
386	14	T1.75	Mdgt Gvd	0.625	0.23
387	28	T1.75	SC Mid Flg	0.625	0.23
388	28	T1.75	Mdgt Gvd	0.625	0.23
400	28	T3.25	Wedge	1.06	0.41
425	5	G4.5	Mini Screw	1.06	0.588
456	28	G4.5	Mini Bay	1.06	0.588
464	28	T3.25	Wedge	1.06	0.41
502	5.1	G4.5	Mini Screw	1.06	0.588
503	5.1	G4.5	Mini Bay	1.06	0.588
509	24	G6	SC Bay	1.44	0.75
509K	24	G6	Cand Screw	1.38	0.75
555	6.3	T3.25	Wedge	1.06	0.41
558	13	T3.25	Wedge	1.06	0.41
561	12.8	T3	Rgd Loop	44mm	11mm
562	13.5	T3	Rgd Loop	44mm	11mm

Questions? Answers at...

Western US: 866 CED-ELEV Eastern US: 866-253-2915
or 866-233-3538 • Fax 562-427-8429 or 860-256-2211 • Fax 860-290-8970

Miniature Lamps

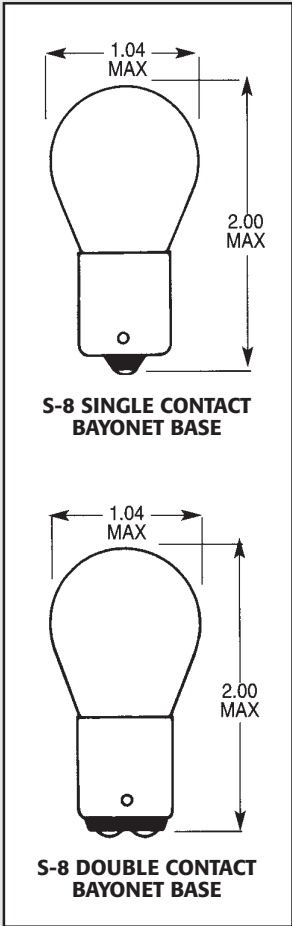
Commercial Number	Volts	Bulb Type	Base	Length (A)	Width (B)
605	6.15	G4.5	Mini Screw	1.06	0.588
623	28	G6	SC Bay	1.44	0.75
624	28	G6	DC Bay	1.44	0.75
631	14	G6	SC Bay	1.44	0.75
656	28	T3.25	Wedge	1.06	0.41
657	28	T3.25	Wedge	1.06	0.41
658	14	T3.25	Wedge	1.06	0.41
685	5	T1	Sub-Midget Flg	0.375	0.125
705	28	S8	SC Bay	2.00	1.04
755	6.3	T3.25	Mini Bay	1.187	0.41
756	14	T3.25	Mini Bay	1.187	0.41
757	28	T3.25	Mini Bay	1.187	0.41
904	13.5	T5	Wedge	1.49	0.65
906	13	T5	Wedge	1.49	0.65
908	6	T5	Wedge	1.49	0.65
909	6	T5	Wedge	1.49	0.65
912	12.8	T5	Wedge	1.49	0.65
914	4	T5	Wedge	1.49	0.65
915	12	T5	Wedge	1.49	0.65
916	13.5	T5	Wedge	1.49	0.65
917	12	T5	Wedge	1.49	0.65
918	12.8	T5	Wedge	1.49	0.65
921	12.8	T5	Wedge	1.49	0.65
922	12.8	T5	Wedge	1.49	0.65
926	4	T5	Wedge	1.49	0.65
927	6	T5	Wedge	1.49	0.65
939	6	T5	Wedge	1.49	0.65
967	130	T3.25	Mini Bay	1.187	0.41
1003	12.8	B6	SC Bay	1.75	0.775
1004	12.8	B6	DC Bay	1.75	0.775
1034	12.8/14	S8	DC Index	2.00	1.04
1062	40	RP11	DC Bay	2.25	1.42
1073	12.8	S8	SC Bay	2.00	1.04
1076	12.8	S8	DC Bay	2.00	1.04
1129	6.4	S8	SC Bay	2.00	1.04
1133	6.2	RP11	SC Bay	2.25	1.42
1141	12.8	S8	SC Bay	2.00	1.04
1142	12.8	S8	DC Bay	2.00	1.04
1152	12.8	S8	DC Bay	2.00	1.04
1154	6.4/7	S8	DC Index	2.00	1.04
1155	13.5	G6	SC Bay	1.44	0.75
1156	12.8	S8	SC Bay	2.00	1.04
1157	12.8/14	S8	DC Index	2.00	1.04
1176	12.8/14	S8	DC Bay	2.00	1.04
1195	12.5	RP11	SC Bay	2.25	1.42
1196	12.5	RP11	DC Bay	2.25	1.42



Questions? Answers at...

Western US: 866 CED-ELEV Eastern US: 866-253-2915
or 866-233-3538 • Fax 562-427-8429 or 860-256-2211 • Fax 860-290-8970

Miniature Lamps



Commercial Number	Volts	Bulb Type	Base	Length (A)	Width (B)
1203	28	S8	SC Bay	2.00	1.04
1224	34	G6	DC Bay	1.44	0.75
1251	28	G6	SC Bay	1.44	0.75
1252	28	G6	DC Bay	1.44	0.75
1308	28	B6	SC Bay	1.75	0.775
1309	28	B6	SC Bay	1.75	0.775
1315	2.5	G5	SC Bay	1.38	0.64
1317	6	B6	SC Bay	1.75	0.775
1383	13	R12	SC Bay	2.63	1.55
1385	28	R12	SC Bay	2.63	1.55
1388	24	R12	DC Bay	2.63	1.55
1408	10	T3.25	Mini Bay	1.187	0.41
1434	3.7	T5	SC Bay	1.75	0.65
1445	14.4	G3.5	Mini Bay	0.94	0.463
1449	14	G3.5	Mini Screw	0.94	0.463
1450	24	G3.5	Mini Bay	0.94	0.463
1460	6.5	S8	DC Pf. (A)	2.00	1.04
1468	6	S8	DC Pf. (S)	2.00	1.04
1476	18	T3	Mini Sciew	1.20	0.38
1477	24	T3	Mini Screw	1.20	0.38
1487	14	T3.25	Mini Screw	1.187	0.41
1493	6.5	S8	DC Bay	2.00	1.04
1495	28	T4.5	Mini Bay	1.38	0.588
1561	6.3	S11	SC Prefocus	2.38	1.42
1591	28	S8	SC Bay	2.00	1.04
1594	6	S8	DC Bay	2.00	1.04
1612	5.4	S8	DC Bay	2.00	1.04
1619	6.7	S8	SC Bay	2.00	1.04
1665	28	S8	SC Bay	2.00	1.04
1680	6	S8	SC Bay	2.00	1.04
1683	28	S8	SC Bay	2.00	1.04
1691	28	S8	SC Bay	2.00	1.04
1692	28	S8	DC Bay	2.00	1.04
1813	14.4	T3.25	Mini Bay	1.187	0.41
1815	14	T3.25	Mini Bay	1.187	0.41
1816	13	T3.25	Mini Bay	1.187	0.41
1818	24	T3.25	Mini Bay	1.187	0.41
1819	28	T3.25	Mini Bay	1.187	0.41
1820	28	T3.25	Mini Bay	1.187	0.41
1822	36	T3.25	Mini Bay	1.187	0.41
1828	37.5	T3.25	Mini Bay	1.187	0.41
1829	28	T3.25	Mini Bay	1.187	0.41
1835	55	T3.25	Mini Bay	1.187	0.41
1843	28	T3.25	Mini Bay	1.187	0.41
1847	6.3	T3.25	Mini Bay	1.187	0.41
1850	5	T3.25	Mini Bay	1.187	0.41

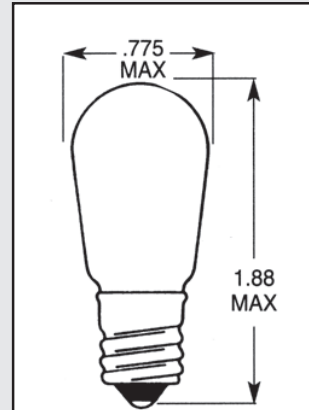
Questions? Answers at...

Western US: 866 CED-ELEV Eastern US: 866-253-2915
or 866-233-3538 • Fax 562-427-8429 or 860-256-2211 • Fax 860-290-8970

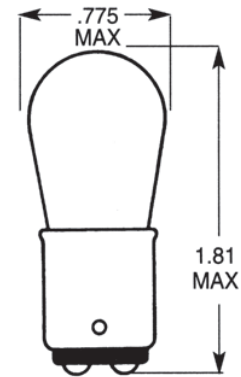
Miniature Lamps

Commercial Number	Volts	Bulb Type	Base	Length (A)	Width (B)
1864	28	T3.25	Mini Bay	1.187	0.41
1866	6.3	T3.25	Mini Bay	1.187	0.41
1873	28	T3.25	Mini Bay	1.187	0.41
1876	3.5	T5	SC Bay	1.75	0.65
1889	14	T3.25	Mini Bay	1.187	0.41
1891	14	T3.25	Mini Bay	1.187	0.41
1892	14.4	T3.25	Mini Bay	1.187	0.41
1893	14	T3.25	Mini Bay	1.187	0.41
1895	14	G4.5	Mini Bay	1.06	0.588
2232	28	S8	SC Bay	2.00	1.04
2233	28	S8	SC Bay	2.00	1.04
3011	28	S11	SC Bay	2.38	1.42
7387	28	T1.75	Bi-Pin M-23	0.875	0.23
100A/RS	120	A19	Med. Screw	4.44	2.12
100A	130	A19	Med. Screw	4.44	2.12
100A21/RS/SL	120	A21	Med. Screw	5.31	2.62
10C7	120	C7	Cand Screw	2.13	0.875
10C7DC	115	C7	DC Bay	2.19	0.875
10S11N/CL	130	S11	Cand Screw	2.25	1.42
10S14/IF	120	S14	Med. Screw	3.50	1.75
10S6/DC/AMBER*	250	S6	DC Bay	1.81	0.775
10S6/DC/CL	250	S6	DC Bay	1.81	0.775
10S6/DC/GRN*	250	S6	DC Bay	1.81	0.775
10S6/DC/RED*	250	S6	DC Bay	1.81	0.775
10S6	230	S6	Cand Screw	1.88	0.75
120MB	120	T2.5	Mini Bay	1.20	0.32
120PSB	120	T2	Slide #5	1.10	0.275
120RB	120	T2	Mini Bay	1.22	0.91
120RC	120	T2	Cand Screw	1.22	0.91
12MB	12	T2.5	Mini Bay	1.20	0.32
12PSB	12	T2	Slide #5	1.10	0.275
12RB	12	T2	Mini Bay	1.22	0.91
12RC	12	T2	Cand Screw	1.22	0.91
130MB	130	T2.5	Mini Bay	1.20	0.32
1383TF	13	R12	SC Bay	2.63	1.55
155MB	155	T2.5	Mini Bay	1.20	0.32
155PSB	155	T2	Slide #5	1.10	0.275
15A15	120	A15	Med. Screw	3.50	1.88
15T6	120	T6	Cand Screw	3.06	0.77
15T6/CAND	145	T6	Cand Screw	3.06	0.77
15T7C	120	T7	Cand Screw	2.25	0.88
15WPCL130E14	120	S8	E14	57mm	26mm
194B	14	T3.25	Wedge	1.06	0.41
194G	14	T3.25	Wedge	1.06	0.41
194NA	14	T3.25	Wedge	1.06	0.41

*painted



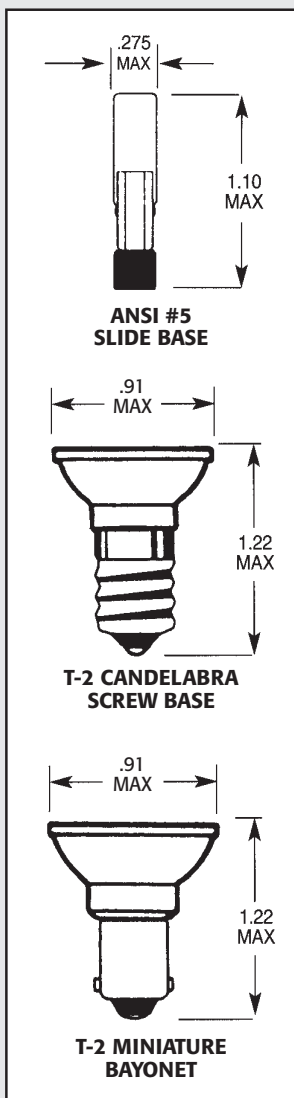
**S-6 CANDELABRA
SCREW BASE**



**S-6 DOUBLE CONTACT
BAYONET BASE**

Questions? Answers at...

Western US: 866 CED-ELEV Eastern US: 866-253-2915
or 866-233-3538 • Fax 562-427-8429 or 860-256-2211 • Fax 860-290-8970



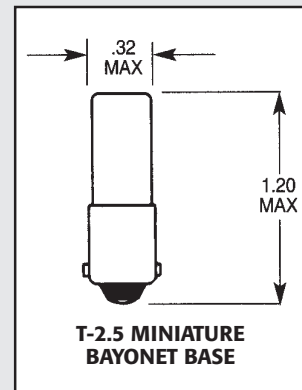
Miniature Lamps

Commercial Number	Volts	Bulb Type	Base	Length (A)	Width (B)
194R	14	T3.25	Wedge	1.06	0.41
240MB	240	T2.5	Mini Bay	1.20	0.32
24CSB	24	T2	Slide #5	0.90	0.275
24MB	24	T2.5	Mini Bay	1.20	0.32
24PSB	24	T2	Slide #5	1.10	0.275
24RB	24	T2	Mini Bay	1.22	0.91
24RC	24	T2	Cand Screw	1.22	0.91
253X	2.5	TL1.75	Midget Grvd	0.625	0.23
25A120	120	A19	Med. Screw	4.44	2.12
25A230	230	A19	Med. Screw	4.44	2.12
25S11/2C120	120	S11	Cand Screw	2.25	1.42
25S1-1/2-CRV 115	115	S1.5	Cand Screw	2.12	1.38
25S6/130CS	130	S6	Cand Screw	1.88	0.775
25T10/120	120	T10	Med. Screw	5.62	1.25
25T8/DC/120	120	T8	DC Bay	2.63	1.04
25T8-130V-CS	130	T8	Cand Screw	2.63	1.04
25T8DC	130	T8	DC Bay	2.63	1.04
25T8N/120	120	T8	Intermediate Scrw	2.63	1.04
25T8N130	130	T8	Intermediate Scrw	2.63	1.04
28MB	28	T2.5	Mini Bay	1.20	0.32
28PSB	28	T2	Slide #5	1.10	0.275
28RB	28	T2	Mini Bay	1.22	0.91
28RC	28	T2	Cand Screw	1.22	0.91
35PSB	35	T2	Slide #5	1.10	0.275
37Q	14	T1.75	Wedge	0.72	0.23
3S6130	130	S6	Cand Screw	1.88	0.775
40T8/130	130	T8	Med. Screw	11.88	1.04
48C2	48	T2	Tel. Slide #2	1.69	0.26
48MB	48	T2.5	Mini Bay	1.20	0.32
48PSB	48	T2	Slide #5	1.10	0.275
48RB	48	T2	Mini Bay	1.22	0.91
48RC	48	T2	Cand Screw	1.22	0.91
509K	24	G6	Cand Screw	1.38	0.75
60A/120	120	A19	Med. Screw	4.44	2.12
60MB	60	T2.5	Mini Bay	1.20	0.32
60PSB	60	T2	Slide #5	1.10	0.275
60RB	60	T2	Mini Bay	1.22	0.91
60RC	60	T2	Cand Screw	1.22	0.91
6MB	6	T2.5	Mini Bay	1.20	0.32
6PSB	6	T2	Slide #5	1.10	0.275
6RB	6	T2	Mini Bay	1.22	0.91
6RC	6	T2	Cand Screw	1.22	0.91
6S6/CL/12	12	S6	Cand Screw	1.88	0.775
6S6/CL/120	120	S6	Cand Screw	1.88	0.775
6S6/CL/145	145	S6	Cand Screw	1.88	0.775
6S6/CL/155	155	S6	Cand Screw	1.88	0.775

Questions? Answers at...

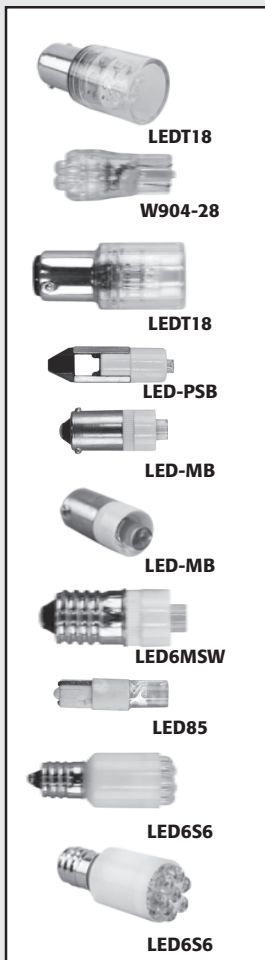
Miniature Lamps

Commercial Number	Volts	Bulb Type	Base	Length (A)	Width (B)
6S6/CL/230	230	S6	Cand Screw	1.88	0.775
6S6/CL/30	30	S6	Cand Screw	1.88	0.775
6S6/CL/48	48	S6	Cand Screw	1.88	0.775
6S6/CL/6	6	S6	Cand Screw	1.88	0.775
6S6/CL/60	60	S6	Cand Screw	1.88	0.775
6S6/DC/130	130	S6	DC Bay	1.81	0.775
6S6/DC/145	145	S6	DC Bay	1.81	0.775
6S6CS	230	S6	Cand Screw	1.88	0.775
6S6/DC/24	24	S6	DC Bay	1.81	0.775
6S6/DC/32	32	S6	DC Bay	1.81	0.775
6T4-1/2/CAND	125	T4.5	Cand Screw	1.38	0.588
75A/RS	120	A19	Med. Screw	4.44	2.12
90MB	90	T2.5	Mini Bay	1.20	0.32
A9AC	65AC/90DC	T2	Wire Terminal (1.25")	0.75	0.25
B1A	120	T3 1/4	Mini Bay	1.187	0.41
B2A	120	T3 1/4	Mini Bay	1.187	0.41
F15T12CW	N/A	T12	Med. Bi-pin	1.5	18.0
H43C	14	S6	Cand Screw	1.88	0.75
K1AZR10	125	T2	Slide #5	1.10	0.29
L30120	120	T8	Disc	17.75	1
L40120	120	T8	Disc	11.75	1
L60120	120	T8	Disc	17.75	1
MP123					
NE120RC	120	T2	Cand Screw	1.22	0.91
NE51 (B1A)	120	T3.25	Mini Bay	1.19	0.43
NE57 (F3A)	105-125	T4.25	Cand Screw	1.53	0.58
PR12	5.95	B3.5	SC Mini Flg	1.25	0.445
PR13	4.75	B3.5	SC Mini Flg	1.25	0.445
PR18	7.2	B3.5	SC Mini Flg	1.25	0.445
PR2	2.38	B3.5	SC Mini Flg	1.25	0.445
PR3	3.57	B3.5	SC Mini Flg	1.25	0.445
PR6	2.47	B3.5	SC Mini Flg	1.25	0.445
PR7	3.7	B3.5	SC Mini Flg	1.25	0.445
ST151 (Starter for TLD18W Lamp)	N/A	N/A	N/A	N/A	N/A
TLD18W/17GREEN FL LAMP	N/A	T8	Med. Bi-pin	24.0	1.04



Questions? Answers at...

Western US: 866 CED-ELEV Eastern US: 866-253-2915
or 866-233-3538 • Fax 562-427-8429 or 860-256-2211 • Fax 860-290-8970



Lamps for Elevator Floor & Call Buttons

Incandescent Part Number	LED Part Number	Voltage	Lamp and Base Type
24PSB	LED24PSB-COLOR-ACDC	24V	T2 #5 SLIDE BASE
28PSB	LED28PSB-COLOR-ACDC	28V	T2 #5 SLIDE BASE
48PSB	LED48PSB-COLOR-ACDC	48V	T2 #5 SLIDE BASE
60PSB	LED60PSB-COLOR-ACDC	60V	T2 #5 SLIDE BASE
120PSB	LED120PSB-COLOR-ACDC	120V	T2 #5 SLIDE BASE
155PSB	LED155PSB-COLOR-ACDC	155V	T2 #5 SLIDE BASE
24MB	LED24MB-COLOR-ACDC	24V	T2.5 MINIATURE BAYONET BASE
28MB	LED28MB-COLOR-ACDC	28V	T2.5 MINIATURE BAYONET BASE
48MB	LED48MB-COLOR-ACDC	48V	T2.5 MINIATURE BAYONET BASE
60MB	LED60MB-COLOR-ACDC	60V	T2.5 MINIATURE BAYONET BASE
90MB	LED90MB-COLOR-ACDC	90V	T2.5 MINIATURE BAYONET BASE
120MB	LED120MB-COLOR-ACDC	120V	T2.5 MINIATURE BAYONET BASE
85	LED-85-COLOR	28V	T1.75 WEDGE BASE
6S6	LED-6S6-120V-COLOR	120V	S6 CANDELABRA SCREW
25T8DC	LEDT18D-120-COLOR	120V	T8 DC BAYONET BASE
502	LED6MSW-ACDC	6V	G4.5 MINIATURE SCREW BASE
657	W904-28-COLOR28V	T3.25	WEDGE BASE

Above lamps available in red, orange, yellow, white, green, blue.

Hall Lanterns

Part Number	Voltage	Replaces	
		Incandescent	Lamp Type
LED6S6	120VAC	25S11	S6 candelabra screw based LED
LED6S6-DC	120VAC	6S6-DC	15mm DC bayonet based LED

Above lamps available in red, orange, yellow, white, green, blue.
ELV419/ELV409 (green only)

Features:

- Maintenance free, easy installation
- Long life, 100,000+ hrs (10 years)
- Solid state, high shock/vibration resistant
- Built-in current limiting resistors
- Low power, high density
- Major power savings

Options:

- Special Voltages
- Industry standard bases
- Bi-Color configuration
- Flashing

Elevator Cab Lighting

Part Number	Base	Wattage	Voltage	Replaces
1383-2W-LED	SCB	2W	12V	20W 1383 Reflector
GBF-LED	DCB	2W	12V	20W GBF Halogen
MR16-3W-LED	Gx5.3 2-Pin	3W	12V/120V	5-25W Halogen MR16
MR11-LED	G24 2-Pin	3W	12V	5-20W Halogen MR11

Features:

- 75%–90% less power consumption vs. incandescent lamps
- 50,000 life hours (10–15x longer life vs. incandescent lamps)
- Powerful lumen output combined with effective light distribution
- Very low heat output to the touch, and no UV light.
- 1-year warranty

If you can't find the LED you are looking for in this catalog, please call us. We are adding new parts to our inventory that may not be shown.



Questions? Answers at...

Western US: 866 CED-ELEV Eastern US: 866-253-2915
or 866-233-3538 • Fax 562-427-8429 or 860-256-2211 • Fax 860-290-8970